



KITCHEN EQUIPMENT

SERVING THE FOOD INDUSTRY SINCE 1951

10-INCH BLADE SLICER WITH 0.35 HP MOTOR

ITEM: 13621 MODEL: MS-IT-0250-I



Designed to take up as little space as possible while providing greater cutting capacity

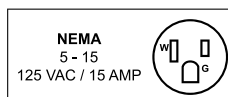
Omcans 10-inch blade slicer have anodised aluminium alloy body. The high carbon steel blades are hard chromed, with a hollow ground taper for extended sharpening and blade life. This belt driven machine offers exceptional cutting consistency and durability.

The carriage moves smoothly on ball bearings allowing effortless cutting of deli meats and vegetables. Easy to disassemble for quick cleaning. Perfect for low volume operations.



WARRANTY

2 YEARS PARTS &
1 YEAR LABOR



Authorized Dealer

KITCHEN EQUIPMENT

10-INCH BLADE SLICER WITH 0.35 HP MOTOR MS-IT-0250-I



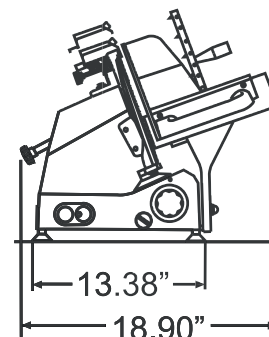
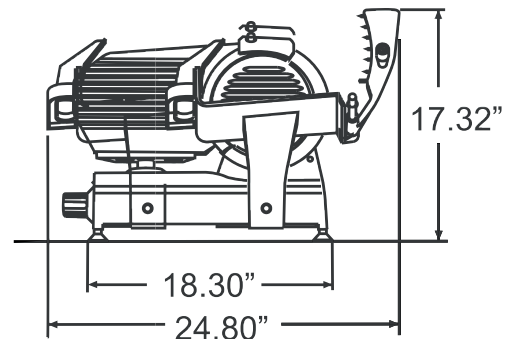
KEY FEATURES

- Perfect for low volume operations
- Have anodised aluminum alloy bodies
- High carbon steel blades are hard chromed, with a hollow ground taper for extended sharpening and blade life
- Exceptional cutting consistency and durability
- Carriage moves smoothly on ball bearings allowing effortless cutting of deli meats and vegetables
- Easy to disassemble for quick cleaning

TECHNICAL SPECIFICATION

ITEM NUMBER	13621
MODEL	MS-IT-0250-I
BLADE SIZE	10" / 250 mm
CUT THICKNESS	0 - 15 mm
CUTTING SIZE	10.23" x 7.5" / 260 x 190.5 mm
POWER	0.35 HP / 0.26 kW
CHEESE SLICING [^]	■ □ □ □
SLICING VOLUME*	45 mins.
RPM	300 / 0.22 kW
ELECTRICAL	110V / 60 Hz / 1 Ph
NET WEIGHT	55 lbs. / 24.9 kg.
GROSS WEIGHT	58 lbs. / 26.3 kg.
DIMENSIONS (WDH)	24.80" x 18.90" x 17.32" 630 x 480 x 440 mm
GROSS DIMENSIONS	25" x 21" x 20" 635 x 533 x 508 mm

TECHNICAL DRAWINGS AND DIMENSIONS



[^]CHEESE SLICING RATINGS: NOT RECOMMENDED (0 bars), POOR (1 bar), AVERAGE (2 bars), GOOD (3 bars), EXCELLENT (4 bars)

*Results may vary due to product consistency and temperature.



OMCAN INC.

Telephone: 1-800-465-0234
 Fax: (905) 607-0234
 Email: sales@omcan.com
 Website: www.omcan.com



Follow us to keep up to date with the latest news and offers

